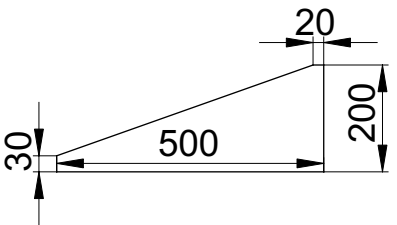
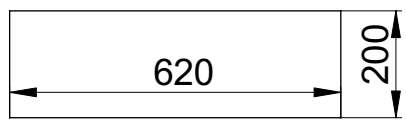


F E D C B A

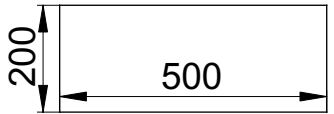
4
3
2
1



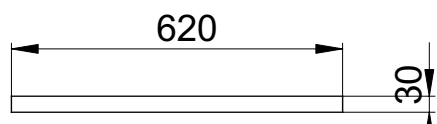
coté haut X 2



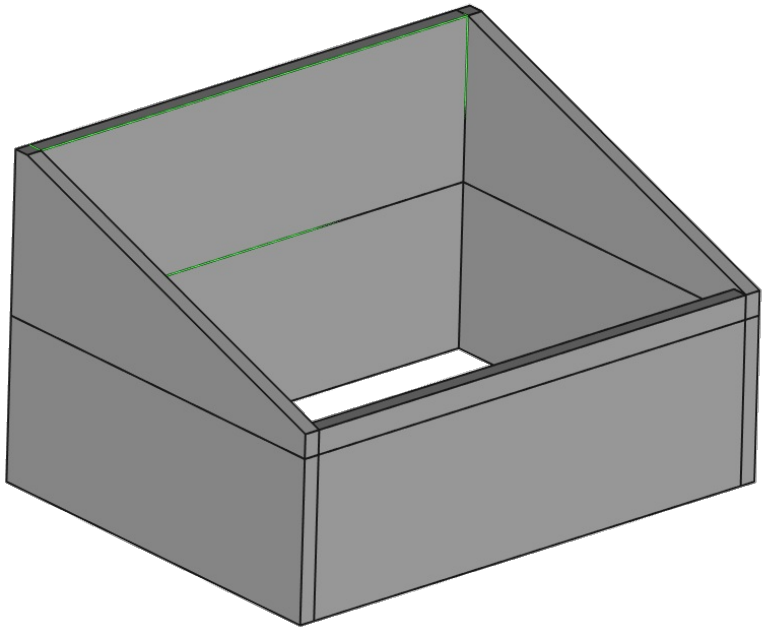
Haut ar bas av ar X 3,



Bas coté X 2



Haut av X 1



DESIGNED BY: Designed by Name		Title		G	-
DATE: Date		Subtitle		F	-
SIZE A4				E	-
SCALE Scale	WEIGHT (kg) Weight	DRAWING NUMBER Drawing number	SHEET Sheet	D	-
This drawing is our property; it can't be reproduced or communicated without our written consent.				C	-
				B	-
				A	-

F E D

4
3
2
1